

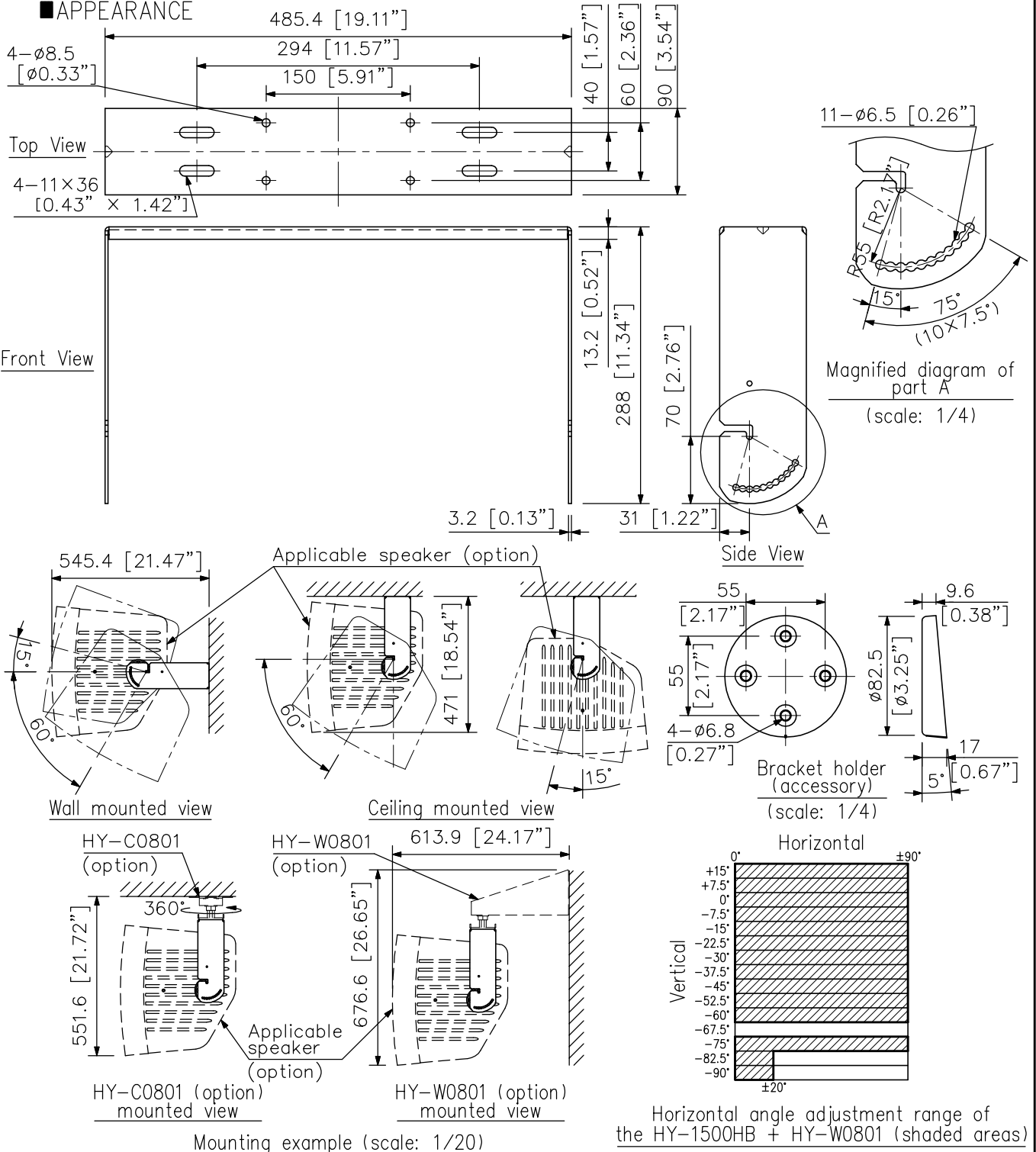
## DESCRIPTION

The HY-1500HB Mount Bracket is designed to mount speaker system to a wall or ceiling in a horizontal configuration. It allows the speaker orientation angle to be adjusted from 15° upward to 60° downward when mounted on a wall, and from 0° (horizontal) to 90° downward when mounted to a ceiling.

## SPECIFICATIONS

Finish	Steel plate, black, paint
Dimensions	485.4 (W) × 288 (H) × 90 (D) mm (19.11" × 11.34" × 3.54")
Weight	2.4 kg (5.29 lb)
Accessory	Bracket holder ×2, Bracket holder mounting screw ×4, Speaker mounting screw ×4, Nut for the optional bracket ×4, Washer for the optional bracket ×4
Option	Ceiling mount bracket: HY-C0801, Wall mount bracket: HY-W0801
Applicable Speaker (option)	HS-150B, HS-1500BT

## APPEARANCE



UNIT:mm SCALE:1/6